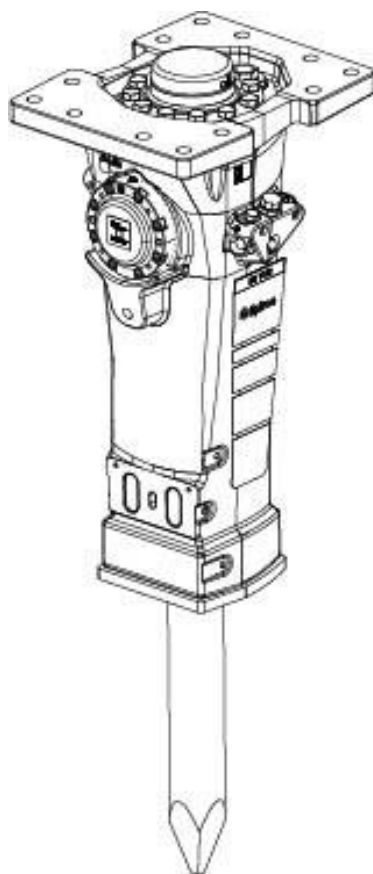


SB 1102

TECHBUD

Spare parts list Hydraulic breakers

SB 1102 s/n BES059443 –



General information

This spare parts list applies to the following:

Part number	Description
8460030090	SB 1102

Use only authorized parts. Any damage or malfunction caused by the use of unauthorized parts is not covered by Warranty or Product Liability. Any unauthorized use or copying of the contents or any part thereof is prohibited. This applies in particular to trademarks, model denominations, part numbers, and drawings.

Instructions for use

This spare parts list contains no safety regulations and is merely intended to assist in the ordering of spare parts.

For information about operating, servicing, or repairing, the relevant Safety and operating instructions must be consulted at all costs.

Please observe the safety instructions listed in the relevant Safety and operating instructions!

Service, repair and wear part kits

Label kit 1
Seal kit 3
Lower hammer part kit 5
Accumulator repair kit 7

Mechanical

Spare parts list 9
HATCON (Horizontal) 12
Tightening torques 15
Dimensions 17

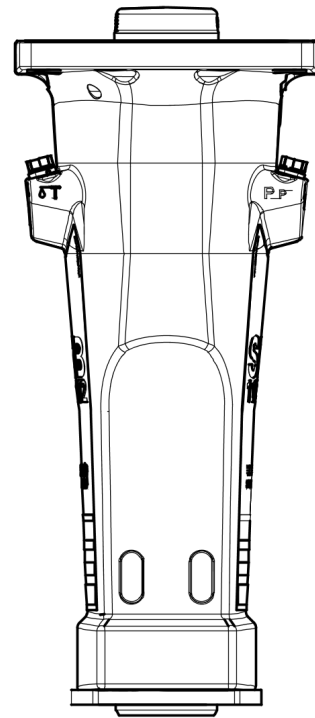
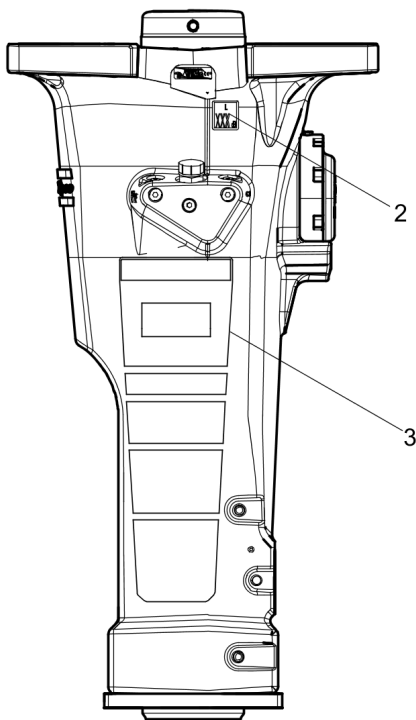
Options / accessories

Retrofit 18
Service tool 21
Working tools ClassicLine 23
Working tools ProLine 25
Hydraulic hoses 27
Optional parts - Restrictor, complete 29
Optional parts - Bushing oversize, complete 31
Optional lower bushing kit 33
Optional equipment 35

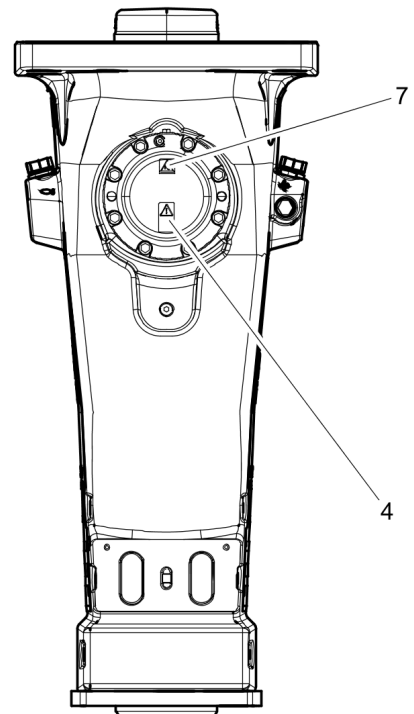
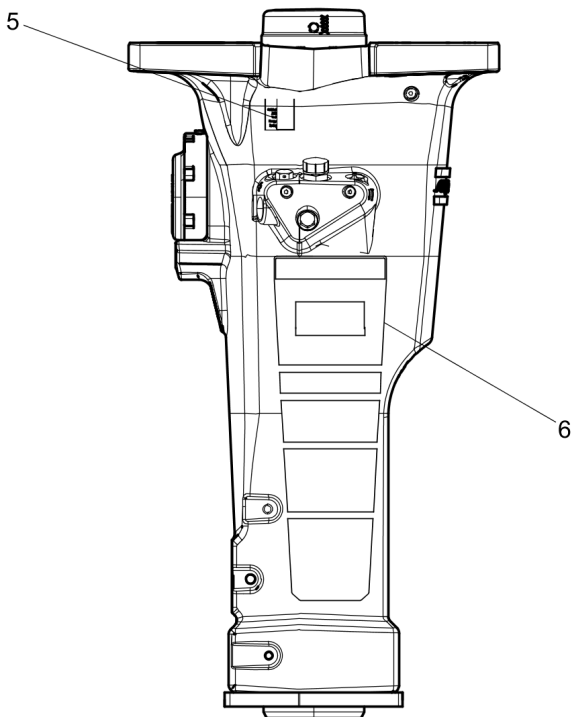
Annex

Environmental Product Compliance - REACH Declaration 37

Service, repair and wear part kits Label kit



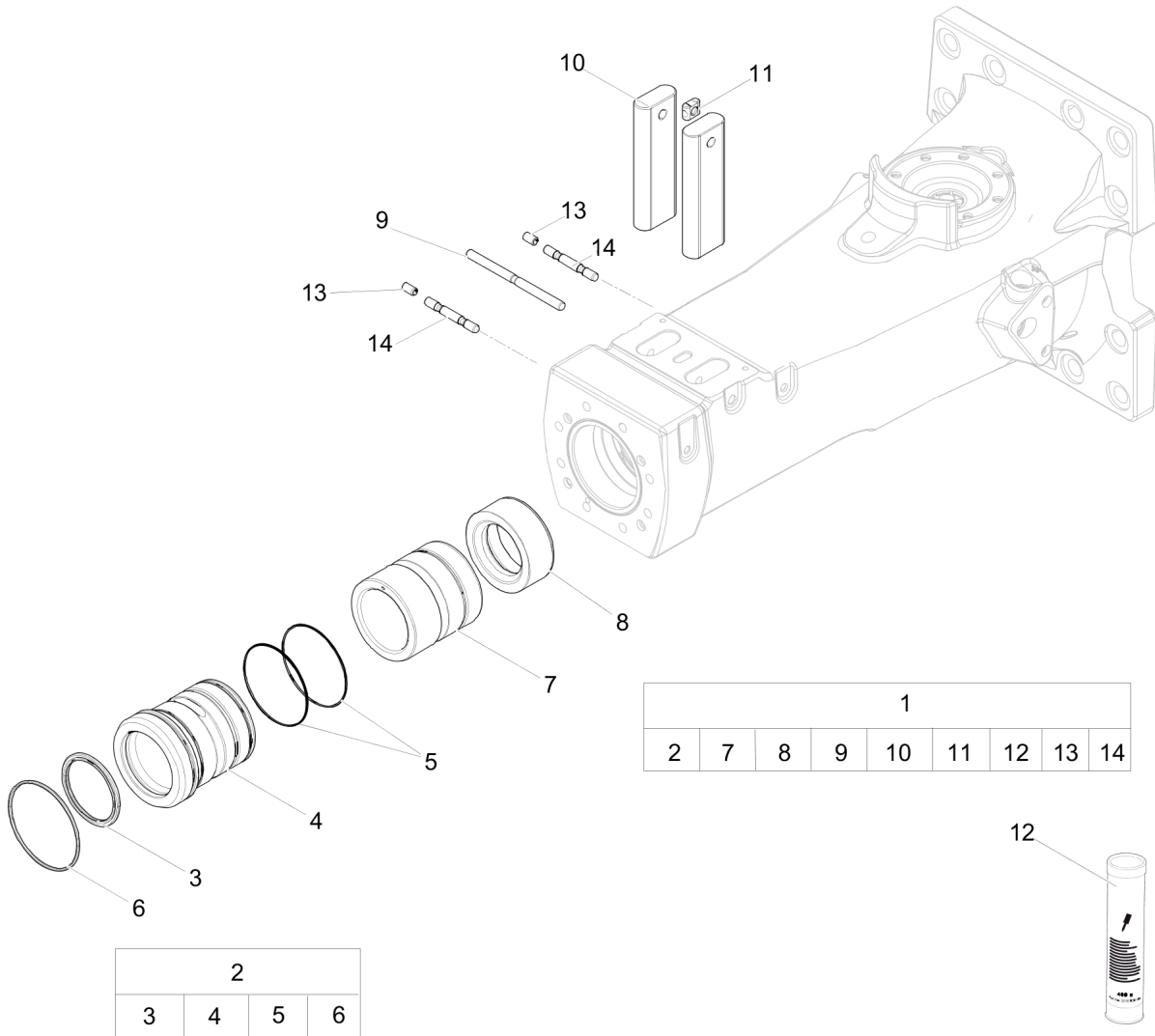
1



Item	Part No.	Name	Qty	L
1	3382070083	Label kit	1	
2	3310132723	Sound power label	1	
3	-	Product label "SB 1102"	1	
4	3115262900	SAFETY LABEL	1	
5	3315254600	AEM sign	1	
6	-	Product label "SB 1102"	1	
7	3115263000	SAFETY LABEL	1	

Item	Part No.	Name	Qty	L
1	3382070080	Seal kit	1	
2	3315412300	Plug	1	
3	0663212003	O-ring	1	
6	0663212000	O-RING	1	
7	0663211400	O-RING	1	
8	3115329002	SEAL RING	1	
9	0665909971	Wiper	1	
10	0665070174	Piston rod seal	2	
11	0665070175	Piston rod seal	1	
12	0663990049	Stirromatic	1	
13	0663990045	Cover seal	9	
14	0663212001	O-ring	2	
15	0663212002	O-ring	1	
16	0663903201	O-RING	1	
17	0663910401	O-RING	1	
18	3315280800	VALVE RUBBER	1	
19	3315412200	Scraper ring	1	
20	0663211999	O-ring	1	

Service, repair and wear part kits Lower hammer part kit



Item	Part No.	Name	Qty	L
1	3382070082	Lower hammer part kit	1	
2	3382070085	Lower bushing, complete	1	
3	3315412200	Scraper ring	1	
4	-	Bushing lower	1	
5	0663212001	O-ring	2	
6	0663212002	O-ring	1	
7	3315411600	Bushing upper	1	
8	3315411500	Impact ring	1	
9	3315411800	Lock pin sb1102	1	
10	3315412100	Retainer bar	2	
11	3315141900	LOCK BUFFER	1	
12	-	Chisel paste cartridge	1	A
13	0108110322	Spring pin	1	
14	3315395700	Locking pin	1	

Comments for Page: Lower hammer part kit

(L)OCAL REMARKS

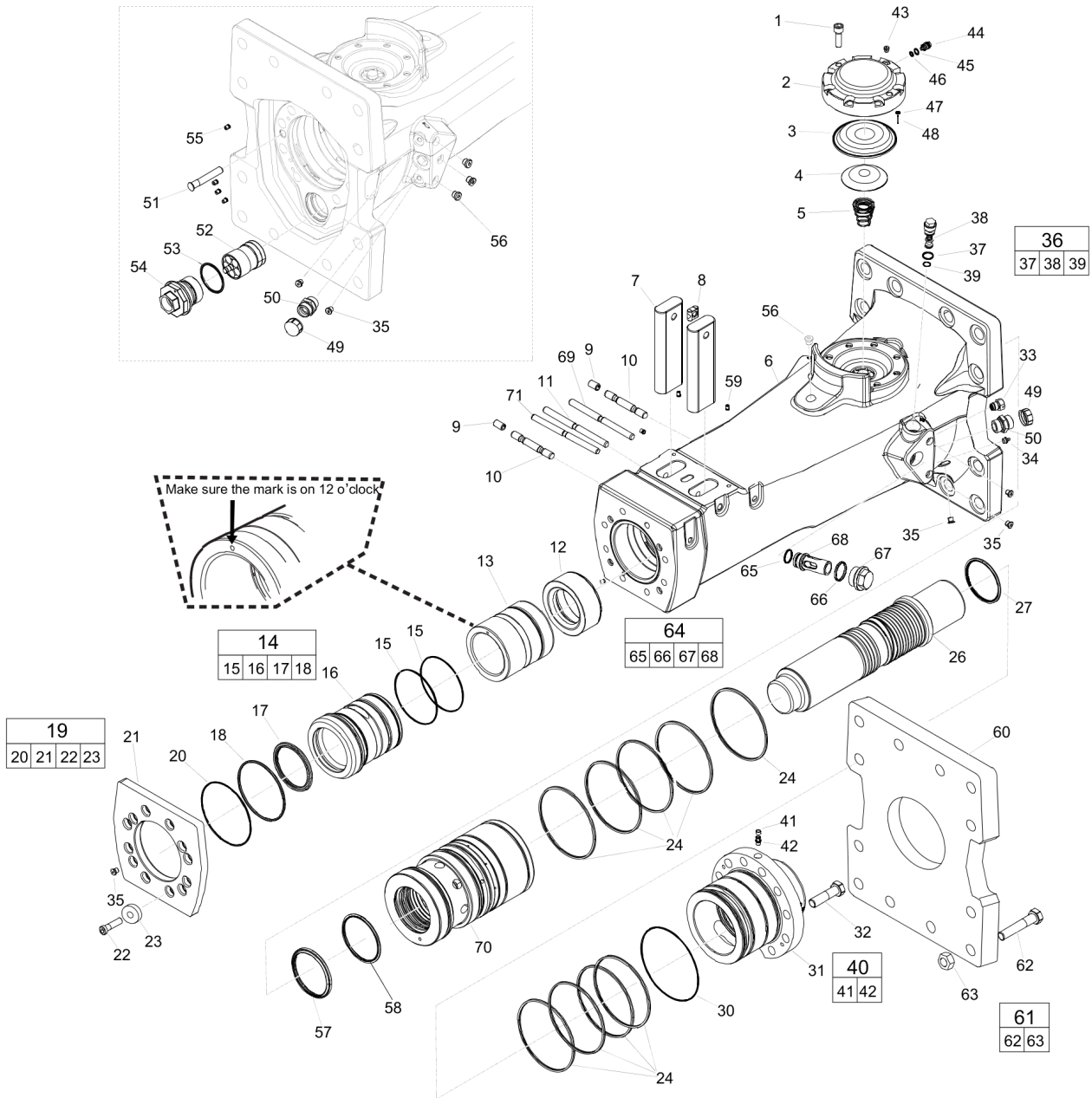
A | 400 g (0.88 lb)

Service, repair and wear part kits Accumulator repair kit

**NO EXPLODED VIEW
AVAILABLE
FOR THIS BOM**

Item	Part No.	Name	Qty	L
1	3382070081	Accumulator repair kit	1	
2	0101414000	PIN	1	
3	0663211400	O-RING	1	
4	3315366000	VALVE	1	
5	3115329002	SEAL RING	1	
6	0663212000	O-RING	1	
7	3315414200	Diaphragm support	1	
8	3315418800	Coil spring sb1102	1	
9	3315416300	Diaphragm	1	
10	0211196544	Hexagon socket screw M16 x 50 mm Screw with extra high fatigue strength.	8	
11	0686371805	PLUG	1	

Mechanical Spare parts list



Item	Part No.	Name	Qty	L
1	0211196544	Hexagon socket screw M16 x 50 mm Screw with extra high fatigue strength.	8	
2	3315414100	Diaphragm cover.	1	
3	3315416300	Diaphragm	1	
4	3315414200	Diaphragm support	1	
5	3315418800	Coil spring sb1102	1	
6	-	Hammerbody	1	
7	3315412100	Retainer bar	2	
8	3315141900	LOCK BUFFER	1	
9	0108110322	Spring pin	2	
10	3315395700	Locking pin	2	
11	3315411800	Lock pin sb1102	1	
12	3315411500	Impact ring	1	
13	3315411600	Bushing upper	1	
14	3382070085	Lower bushing, complete	1	
15	0663212001	O-ring	2	
16	-	Bushing lower	1	
17	3315412200	Scraper ring	1	
18	0663212002	O-ring	1	
19	3382070084	Wear plate, complete	1	
20	0663211999	O-ring	1	
21		Wear plate	1	
22	3315431101	Hexagon socket screw	8	
23	3315019510	LOCK WASHER	8	A
24	0663990045	Cover seal	9	
26	3315411200	Piston	1	
27	0665070175	Piston rod seal	1	
30	0663212003	O-ring	1	
31	3315411455	Back head	1	
32	0147163803	SCREW, HEX HEAD	10	
33	3363109435	Non return valve, G1/2 in.	1	
34	3363070299	Grease nipple, ISO 7-R 1/4	1	
35	0686644207	PLUG	9	
36	3315401100	Pressure relief valve, complete	1	B
37	0663910401	O-RING	1	
38	-	VALVE	1	
39	0663903201	O-RING	1	
40	3315244881	CHECK VALVE	1	

Refer to the DocMine web page for most up-to-date information. The printed information might be outdated.

Thu Mar 25 10:01:44 UTC 2021

Item	Part No.	Name	Qty	L
41	3315280800	VALVE RUBBER	1	
42	-	VALVE	1	
43	0686371805	PLUG	1	
44	3315366000	VALVE	1	
45	0663212000	O-RING	1	
46	3115329002	SEAL RING	1	
47	0663211400	O-RING	1	
48	0101414000	PIN	1	
49	0686925030	Cap	2	
50	0580001476	PIPE COUPLING	2	
51	3315412300	Plug	1	
52	3315414000	Valve	1	
53	0663990049	Stircomatic	1	
54	3315413900	Valve cover	1	
55	0686100009	Plug, Ø10 mm, Ø0.39 in.	8	
56	0686371801	PLUG	4	
57	0665909971	Wiper	1	
58	0665070174	Piston rod seal	2	
59	0686100009	Plug, Ø10 mm, Ø0.39 in.	8	
60	3315415800	Base plate	1	
61	3315426602	Bolt kit	1	
62	3315426600	Screw M30 x 110 mm TUFLOC	12	
63	0266113601	NUT	12	
64	3315409703	Restrictor, complete	1	
65	0663903201	O-RING	1	
66	0663910401	O-RING	1	
67	3315386500	Restrictor plug	1	
68	-	Restrictor sleeve, ø8.4 mm, 0.33 in.	1	
69	0108169129	Spring pin, option, 16 x 180 mm, 0.63 x 7.09 in.	1	C
70	3315411380	Liner	1	
71	3315411810	Alternative lock pin	1	

Comments for Page: Spare parts list

A | Optional, for heavy duty.

B | CAS No. see chapter "Environmental Product Compliance - REACH Declaration"

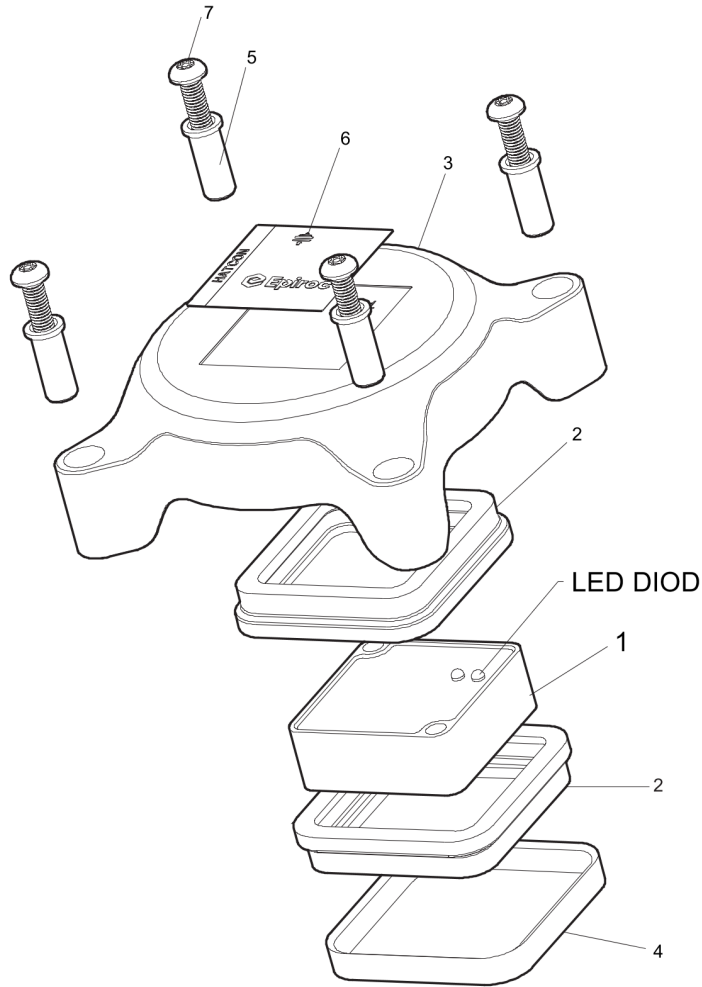
C | For hot environment only. No need to use Pos.8

Refer to the DocMine web page for most up-to-date information. The printed information might be outdated.

Thu Mar 25 10:01:44 UTC 2021

This page intentionally left blank

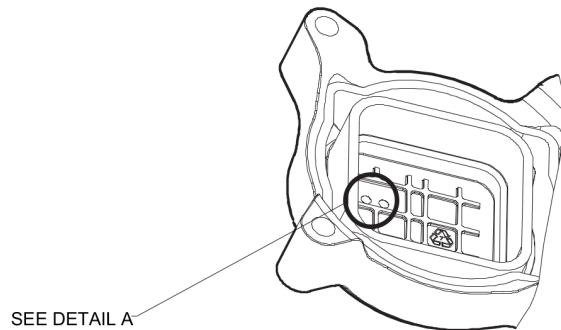
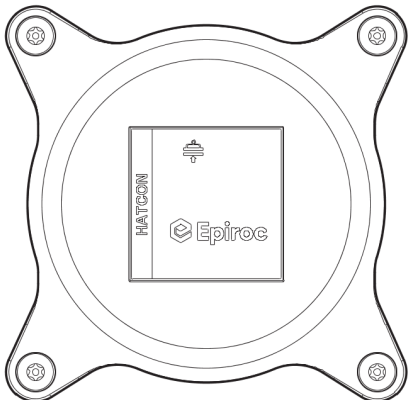
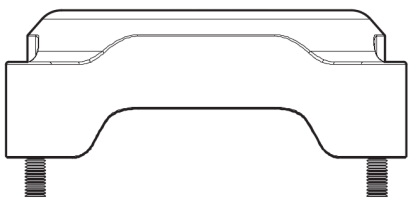
Mechanical HATCON (Horizontal)



DETAIL A



Horizontal mounted.
Match diods on POS.1 to
match the recess marked H on POS .3

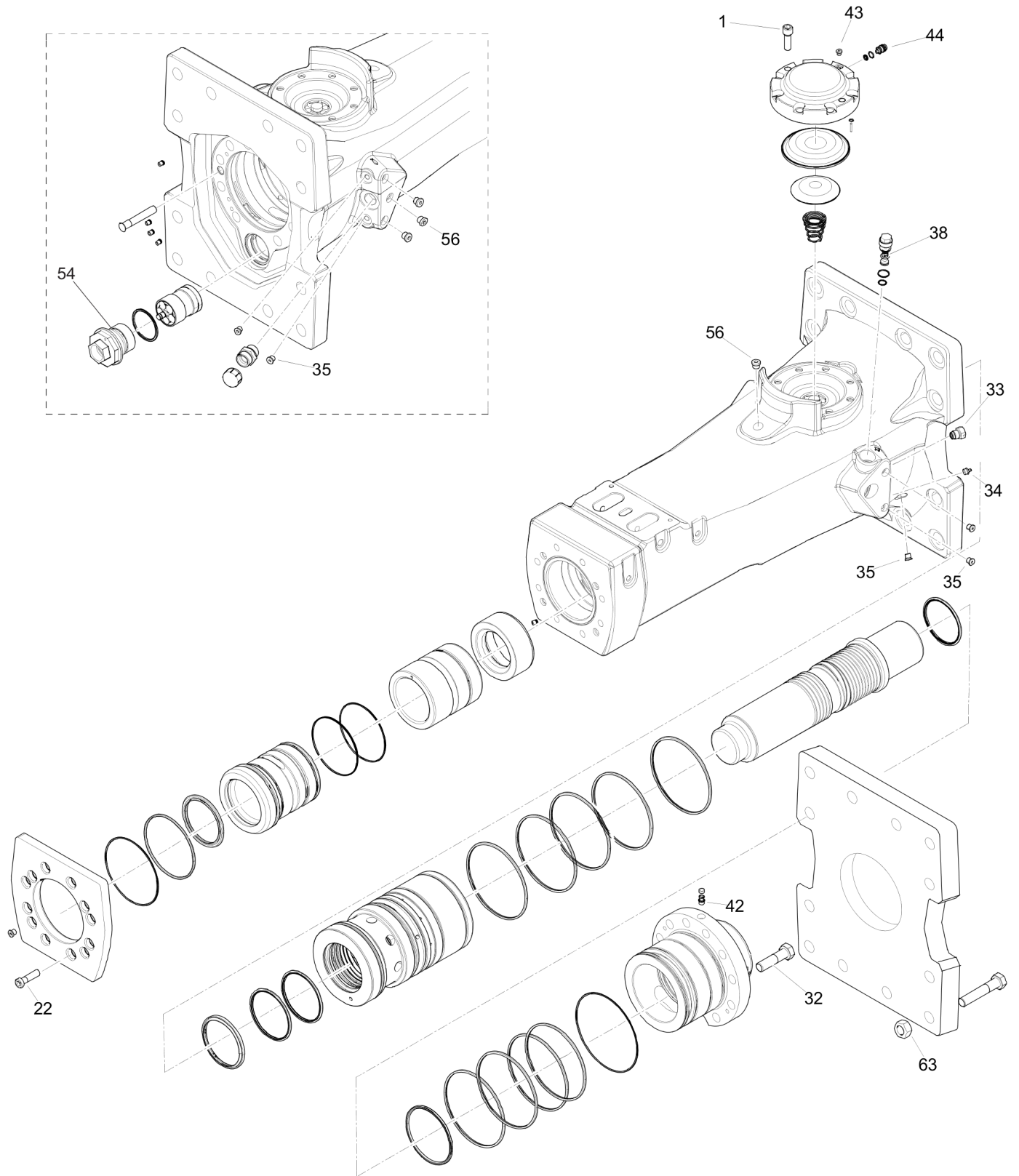


Item	Part No.	Name	Qty	L
1		Tracking module HATCON	1	
2	3315439130	Damper HATCON	2	
3	3315439119	Housing type 5 HATCON	1	
4	3315439140	Lock ring HATCON	1	
5	3315439120	Sleeve HATCON	4	
6	3315439100	Product label HATCON	1	
7	3315442600	Screw HATCON	4	

Refer to the DocMine web page for most up-to-date information. The printed information might be outdated.

Thu Mar 25 10:01:45 UTC 2021

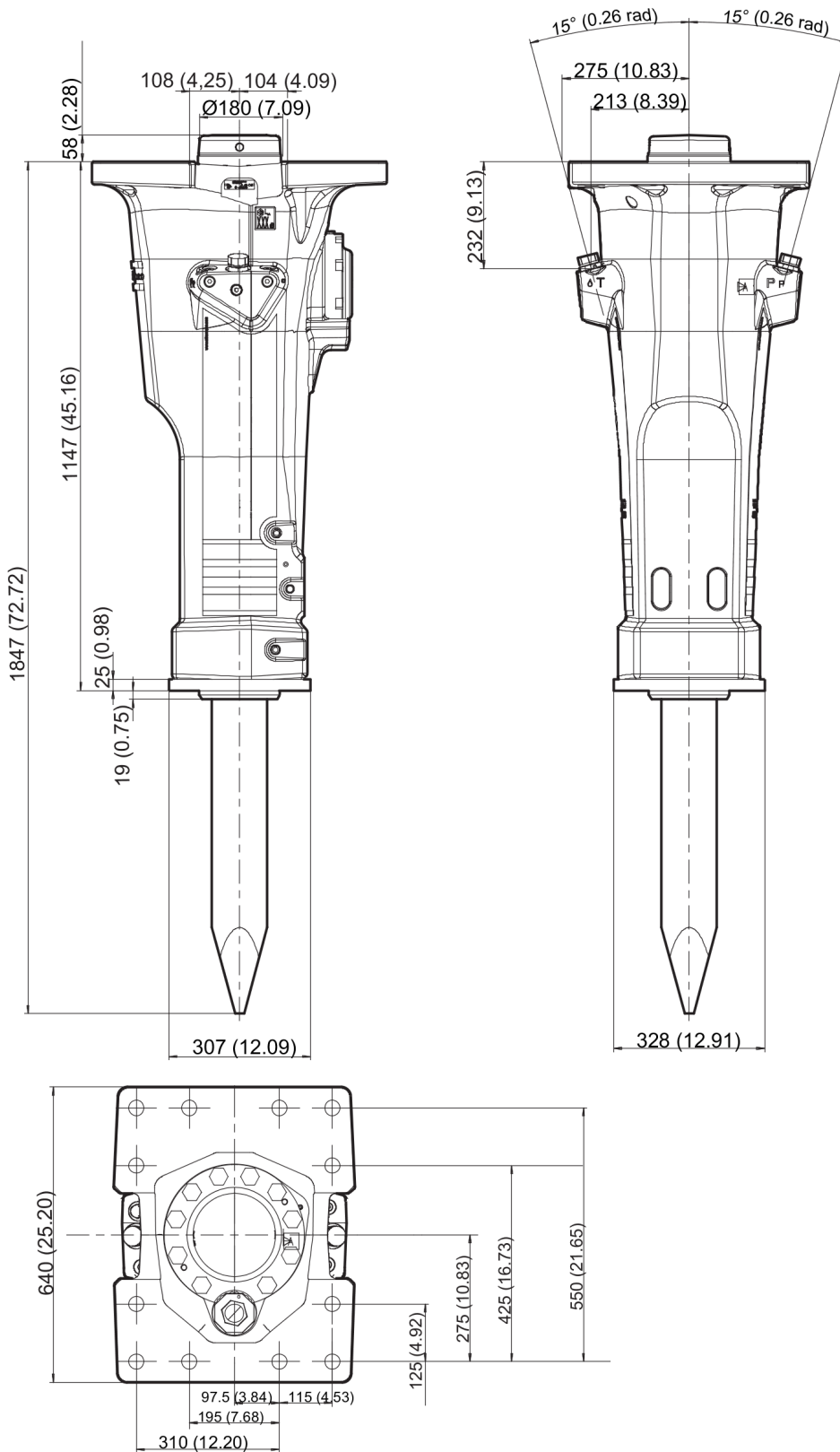
Mechanical Tightening torques



Refer to the DocMine web page for most up-to-date information. The printed information might be outdated.
Thu Mar 25 10:01:45 UTC 2021

Item	Part No.	Name	Qty	L
1	-	Screw - 370 Nm	8	
22	-	Screw - 180 Nm , use Molykote®	8	
32	-	Bolt - 550 Nm	10	
33	-	Non return valave, G1/2 in. - 200 Nm	1	
34	-	Grease nipple - 30 Nm	1	
35	-	Plug - 30 Nm, use LOCTITE®243	9	
38	-	Valve - 80 Nm	1	
42	-	Check valve - 80 Nm	1	
43	-	Plug - 20 Nm	1	
44	-	Charge valve - 30 Nm, use LOCTITE®243	1	
54	-	Valve cover, 2000(+1000/-500) Nm, use Molykote®	1	
56	-	Plug - 80 Nm, use LOCTITE®243	4	
63	-	Nut - 1385 Nm, use Molykote®	9	

Mechanical Dimensions

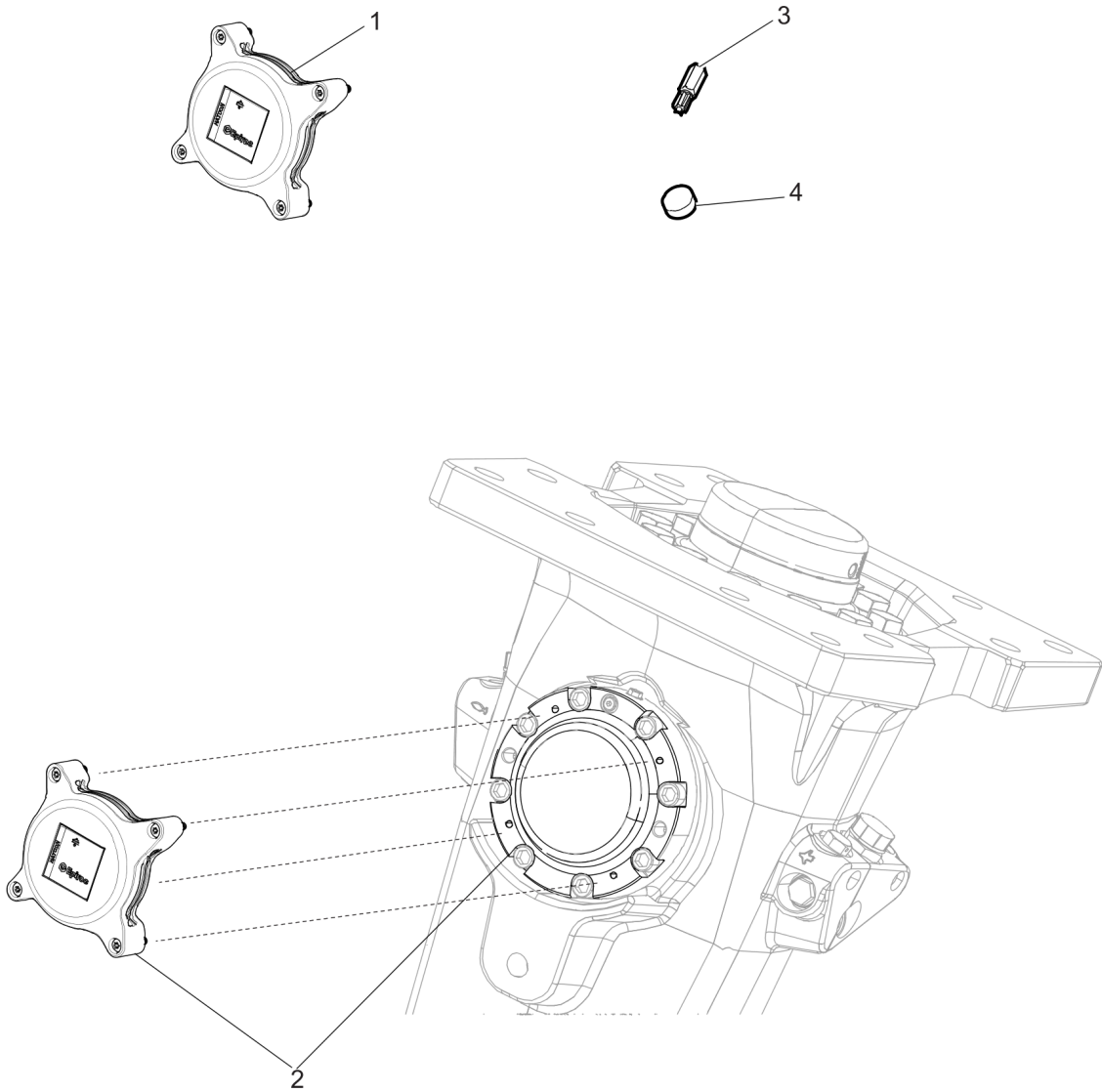


Refer to the DocMine web page for most up-to-date information. The printed information might be outdated.

Thu Mar 25 10:01:45 UTC 2021

This page intentionally left blank

Options / accessories Retrofit

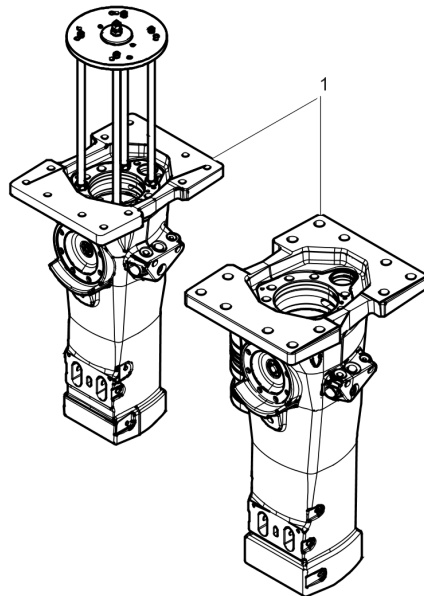


Item	Part No.	Name	Qty	L
1	3315442505	Retrofit kit (valid after BES123531)	1	A
2	3315442516	Retrofit kit with accumulator (valid before BES123530)	1	B
3	3315439105	Security bit HATCON	1	
4	3315439106	Magnet HATCON	1	

Comments for Page: Retrofit

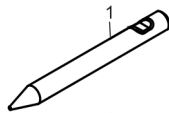
A | Valid from BES127131

B | Valid before BES127136

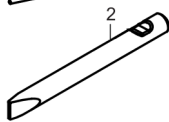


Item	Part No.	Name	Qty	L
1		Service tool for liner (Consult technical service for drawings)	1	

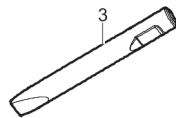
Options / accessories Working tools ClassicLine



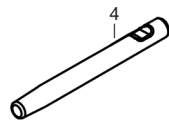
L=650 mm, LT=1,080 mm, Wt=61 kg
L=25.6 inch, LT=42.5 inch, Wt=134 lb



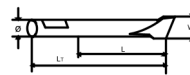
L=650 mm, LT=1,080 mm, Wt=63 kg
L=25.6 inch, LT=42.5 inch, Wt=139 lb



Ø=120 mm, W= 120mm, L=610 mm, L_T=1080 mm, Wt=87.0 kg
Ø=4.72 inch, W=4.72 inch, L=24.02 inch, L_T=42.52 inch, Wt=191.8 lb

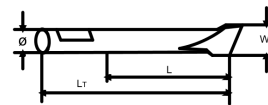
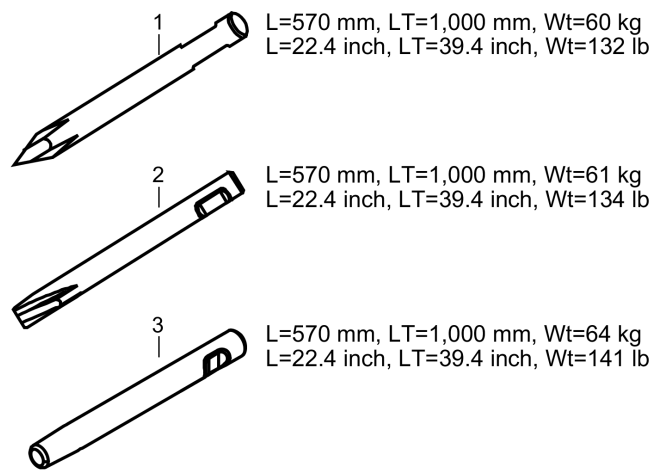


L=650 mm, LT=1,080 mm, Wt=66 kg
L=25.6 inch, LT=42.5 inch, Wt=146 lb



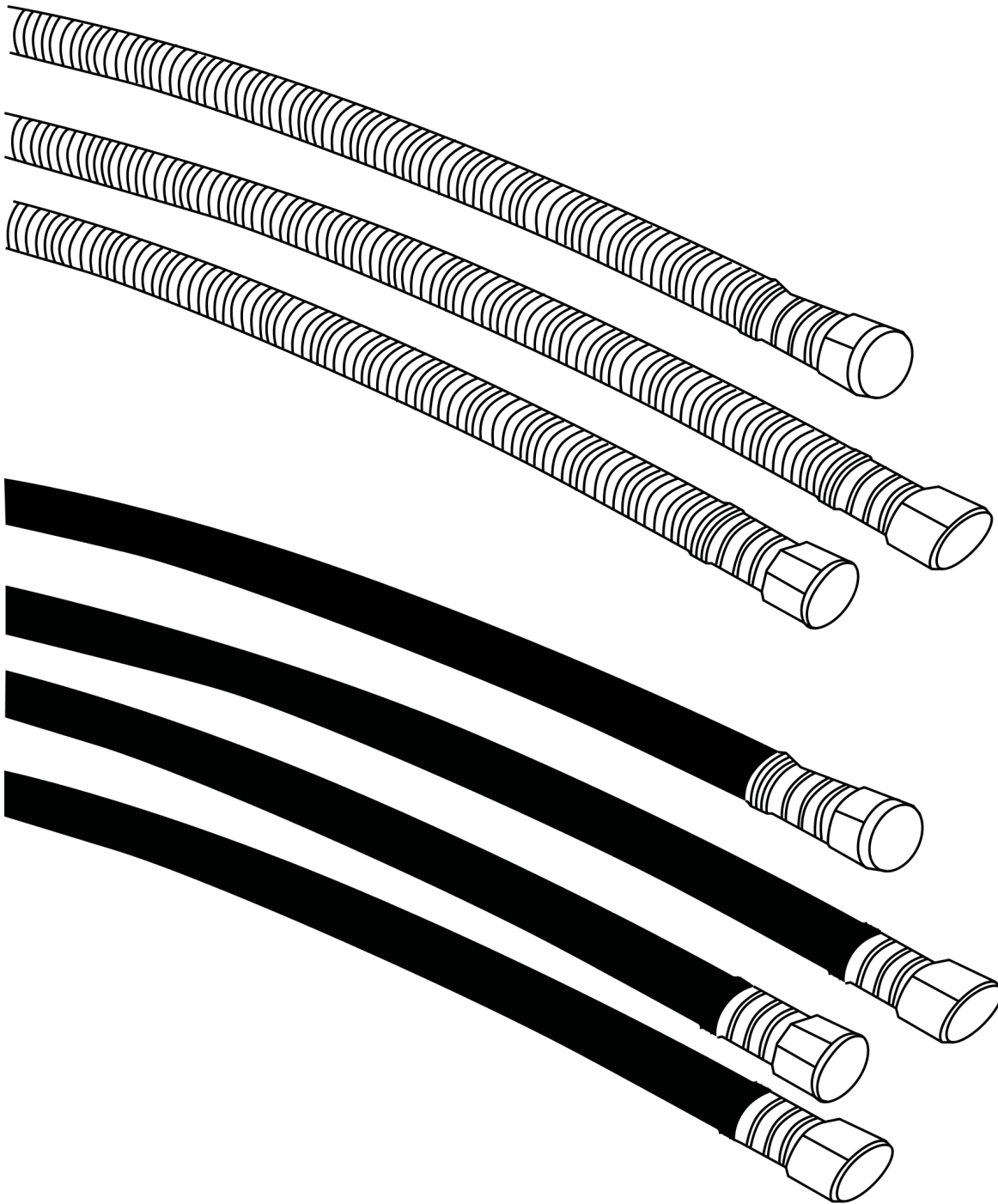
Item	Part No.	Name	Qty	L
1	3363119655	Moil point	1	
2	3363119656	Chisel (cross)	1	
3	3363119657	Chisel (parallel)	1	
4	3363119658	Blunt tool	1	

Options / accessories Working tools ProLine



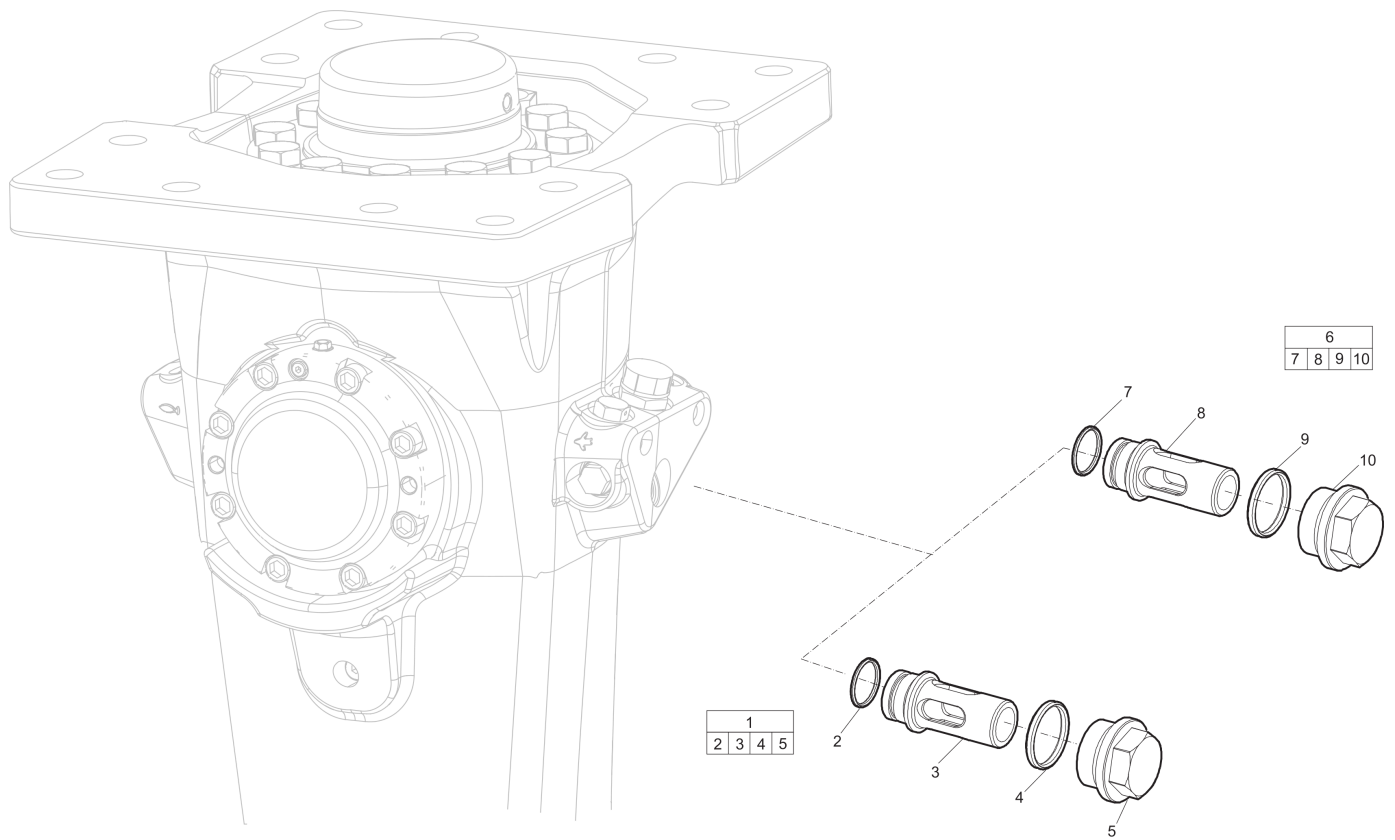
Item	Part No.	Name	Qty	L
1	3363118328	Moil point	1	
2	3363118334	Chisel (cross)	1	
3	3363103157	Blunt tool	1	

Options / accessories Hydraulic hoses



Item	Part No.	Name	Qty	L
-	3360332294	Hydraulic hose, I.D. 20 (0.79 in.), both ends M36 x 2 mm conical seal 24°, length 2,300 mm (90.5 in.)	2	
-	3363085947	Hydraulic hose, I.D. 20 (0.79 in.), both ends M36 x 2 mm conical seal 24°, length 2,800 mm (110.2 in.)	2	

Options / accessories Optional parts - Restrictor, complete



Refer to the DocMine web page for most up-to-date information. The printed information might be outdated.

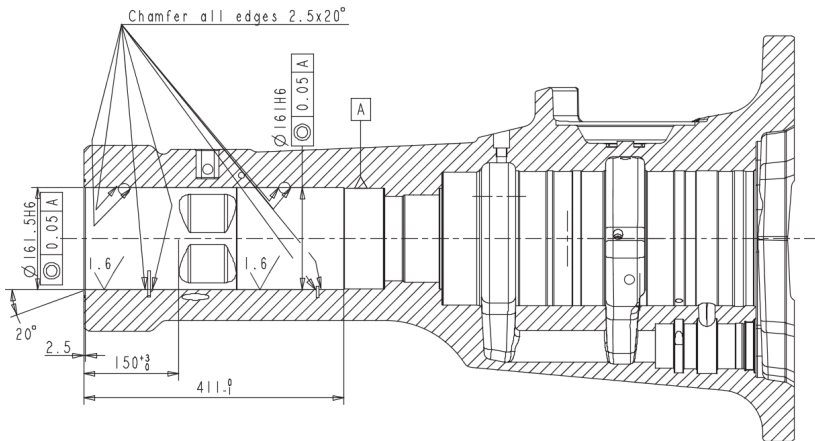
Thu Mar 25 10:01:49 UTC 2021

Item	Part No.	Name	Qty	L
1	3315432520	Restrictor, complete	1	
2	0663903201	O-RING	1	
3	-	Restrictor sleeve, $\varnothing 7.3$ mm, $\varnothing 0.29$ in.	1	
4	0663910401	O-RING	1	
5	3315386500	Restrictor plug	1	
6	3315432530	Restrictor, complete	1	
7	0663903201	O-RING	1	
8	-	Restrictor sleeve, $\varnothing 8.9$ mm, $\varnothing 0.35$ in.	1	
9	0663910401	O-RING	1	
10	3315386500	Restrictor plug	1	

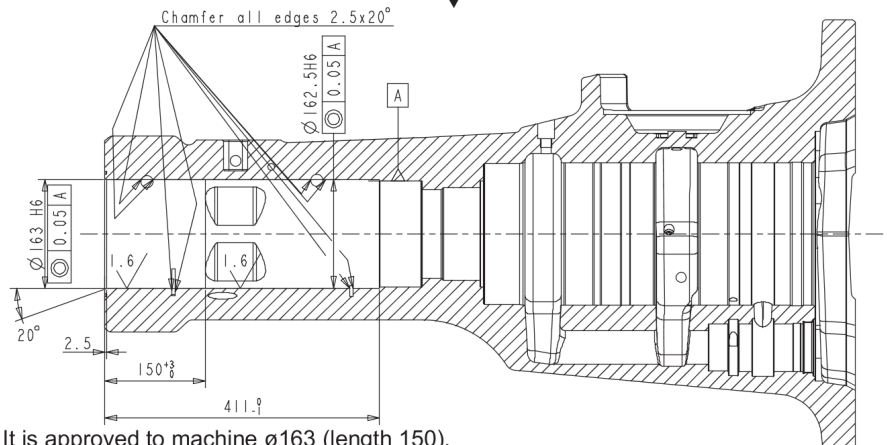
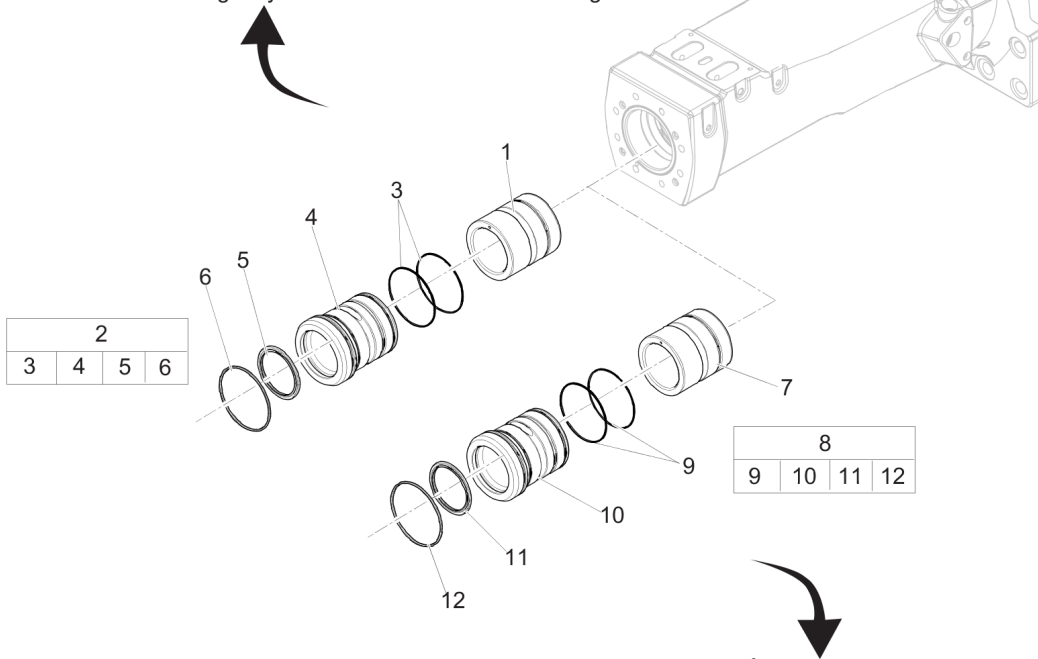
Comments for Page: Optional parts - Restrictor, complete

For oil flow diagrams, please see Safety and operating instructions.

Options / accessories Optional parts - Bushing oversize, complete



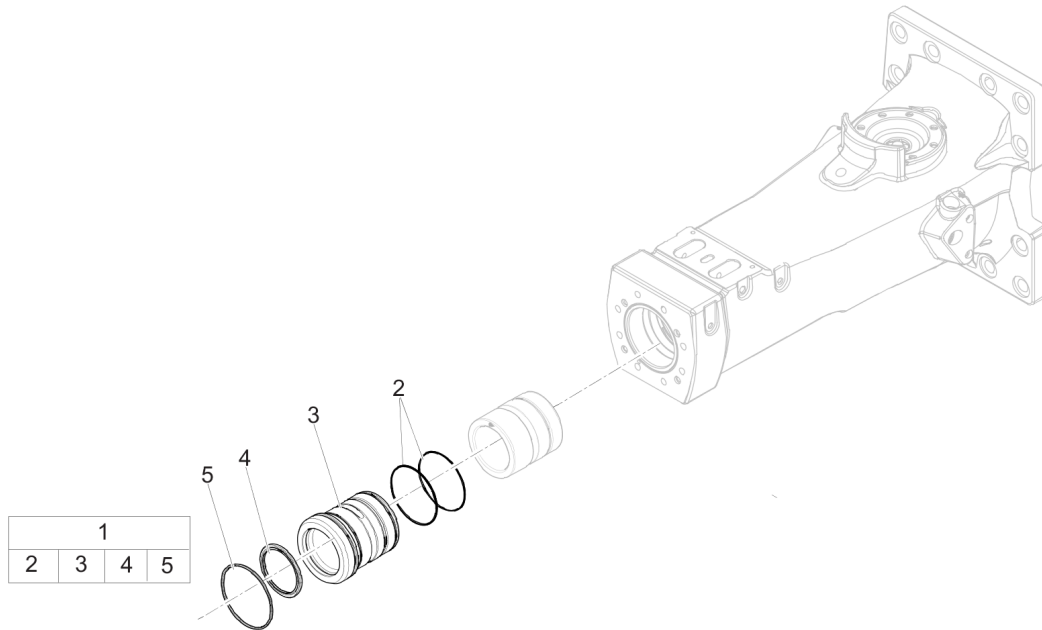
It is approved to machine $\varnothing 161.5$ (length 150), if oversized dimension bushing only is needed for the lower bushing.



It is approved to machine $\varnothing 163$ (length 150), if oversized dimension bushing only is needed for the lower bushing.

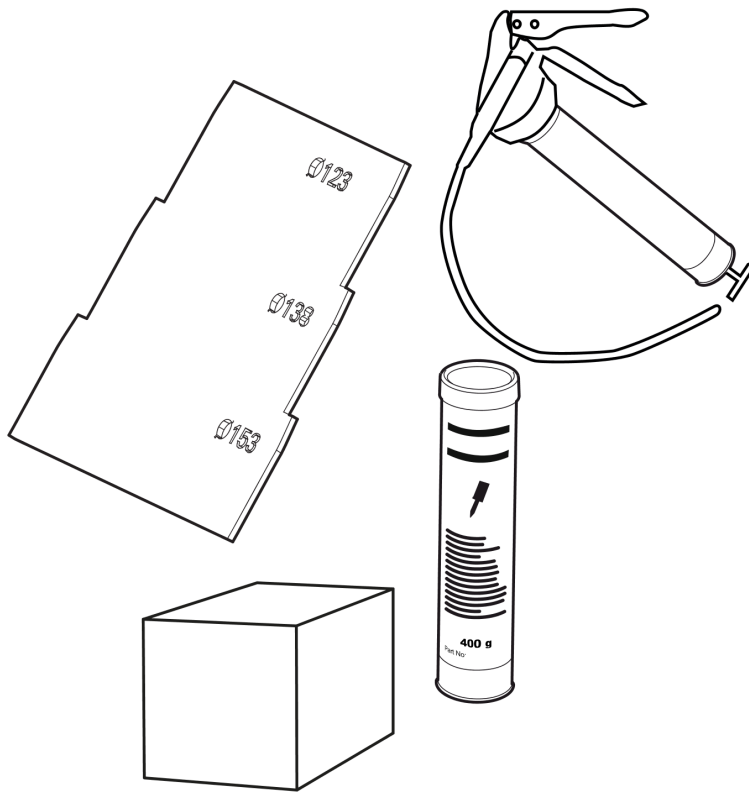
Item	Part No.	Name	Qty	L
1	3315411615	Upper bushing(+1.5 mm), ø161 mm, ø6.34 in.	1	
2	3315432410	Lower bushing oversize, complete	1	
3	0663212001	O-ring	2	
4	-	Lower bushing, ø161.5 mm, ø6.34 in.	1	
5	3315412200	Scraper ring	1	
6	0663212002	O-ring	1	
7	3315411630	Upper bushing (+ 3 mm), ø162.5 mm, ø6.40 in.	1	
8	3315432420	Lower bushing oversize, complete	1	
9	0663212001	O-ring	2	
10	-	Lower bushing,	1	
11	3315412200	Scraper ring	1	
12	0663212002	O-ring	1	

Options / accessories Optional lower bushing kit



Item	Part No.	Name	Qty	L
1	3315432430	Pressfitted lower bushing kit	1	
2	0663212001	O-ring	2	
3		Bushing	1	
4	3315412200	Scraper ring	1	
5	0663212002	O-ring	1	

Options / accessories Optional equipment



Item	Part No.	Name	Qty	L
-	3363067123	Automatic lubrication system	1	
-	0909107100	LUBRICAT.GUN	1	A
-	3363094913	Chisel paste cartridge for grease gun, 12 x 400 g (0.88 lbs)	1	
-	3363067123	Automatic lubrication system	1	
-	3363067493	Universall adapter kit	1	B
-	3363091200	Chisel paste cartridge, 12 x 500 g (1.1 lbs)	1	
-	3363094669	Filling device	1	C
-	3363066412	Filling adapter	1	D
-	3363066411	Filling device	1	E
-	3362263900	Chisel paste container (15 kg)	1	F
-	3363122801	Chisel paste container (45 kg)	1	G
-	3360920415	Filling device for accumulator	1	
-	3363094459	Nipple, for charging the accumulator	1	
-	3361329803	Filling hose for charging the accumulator	1	
-	3315409200	Bushing wear controller	1	
-	3315395200	Water Nossle	4	

Comments for Page: Optional equipment

(L)OCAL REMARKS

A | For manual greasing with cartridge, 400 g (0.88 lb)

B | For ContiLube™ II

C | For the 500 g (1.10 lb) Chisel paste cartridges, to use in combination with Chisel paste container 15 kg (33 lb)

D | For the 500 g (1.10 lb)

Chisel paste cartridges, suitable with the filling device for 15 kg (33 lb) and 45 kg (99 lb)

E | For the 500 g (1.10 lb) Chisel paste cartridges, to use in combination with Chisel paste container 45 kg (99 lb)

F | 15 kg (33 lb)

G | 45 kg (99 lb)

Annex Environmental Product Compliance - REACH Declaration

**NO EXPLODED VIEW
AVAILABLE
FOR THIS BOM**

Item	Part No.	Name	Qty	L
36	-	Pressure relief valve, complete, Part No. 3315401100 - CAS No. 7439-92-1	-	

AUTORYZOWANY PARTNER:

TECHBUD

SILNIKI • MASZYNY BUDOWLANE • DROGOWE • AGREGATY

Techbud Sp. z o.o.
ul. Gorzowska 12
65-127 Zielona Góra

tel. +48 68 470 72 50
fax +48 68 470 72 51
www.techbud.eu
techbud@techbud.eu